

# Datasheet for GPS System



Model No.	:	T-GPS-300
Manufacturer	:	Sertel Electronics
Category	:	Substation/ Automation Products
Description	:	Datasheet and Schematic Drawing for GPS Receiver
Sertel Doc No.	:	SER_SAS_PRO_DS_300

00	-	03.07.2014
Revision	Revision details	Date of Issue



[www.sertelelectronics.com](http://www.sertelelectronics.com)

#### SERTEL ELECTRONICS

377, Nehru Nagar, 1<sup>st</sup> Cross Street,  
Old Mahabalipuram Road, Perungudi,  
Chennai, Tamilnadu, India 600 096.

Ph: +91(44)23454060, +91(44)23454062  
+91(44)43593346, +91(44)43593348  
Fax: +91(44)23454061

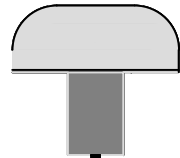
[sales@sertelelectronics.com](mailto:sales@sertelelectronics.com) [info@serteltelser.com](mailto:info@serteltelser.com)

#### SERTEL ELECTRONICS UK LTD

Rutland House, 148 Edmund Street,  
Birmingham, B3 2FD,  
United Kingdom.

Ph: +44 (0) 121 661 6479  
+44 (0) 121 661 6499  
[enquiryuk@serteltelser.com](mailto:enquiryuk@serteltelser.com)

### GPS ANTENNA



50 meters

LIGHTNING ARRESTOR

90-260V AC/DC



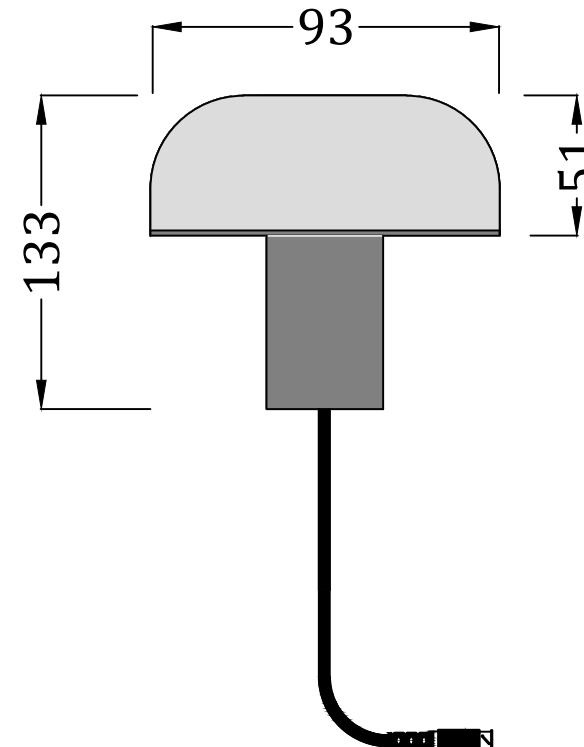
NTP/SNTP OUTPUT - 02 No's.

IRIG B(AM) OUTPUT - 01 No.

Manufacturer:  SERTEL Electronics			
Drawn : DA	Checked : KJ	SERTEL Doc No.:	REV
Approved : GS	Reviewed : KPK	SER_SAS_PRO_DS_300	00



### GPS ANTENNA

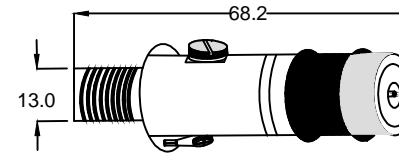


GPS Based Time Synchronization System	
SERTEL	GPS Antenna
Manufacturer	SERTEL
Model no	T-GPA-014-S15
Receiving Frequency	1575.42 MHz +/- 1 MHz
Tracking code	CA
No. of Channels	8 Channel / Parallel
Tracking method	Code / Carrier tracking
Interface	TTL (Normal high)
Output rate	Every second
Geodetic system	WGS-84
Power supply	5V DC Internal supply
Output connector	BNC Connector
Environment	a) TEMP : -10 TO 85 DEG.CEN
	b) RH : 0-95% (non condensing)
Mounting	Wall mounting
Dimension	Ø93x133mm
Quantity	01 No.

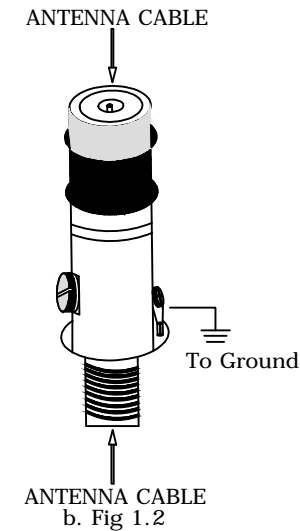
All dimensions are in mm

Manufacturer:  SERTEL Electronics			
Drawn : DA	Checked : KJ	SERTEL Doc No.:	REV
Approved : GS	Reviewed : KPK	SER_SAS_PRO_DS_300	00

SERTEL	GPS Based Time Synchronization System
	Lightening Arrestor
Manufacturer	SERTEL
Model no	SER-LAR
Loss	Less than 1 dB
Maximum Power Rating	400W P-P
Connector	N-Type connector
Impulse Discharge Voltage	1000 V
Impulse Wave Discharge Capacity	6000 A
Impulse Wave Ration Discharge Capacity	230V +/- 20%
Quantity	01 No.



a. Fig 1.1



b. Fig 1.2

All dimensions are in mm

Manufacturer:  SERTEL Electronics			
Drawn : DA	Checked : KJ	SERTEL Doc No.:	REV
Approved : GS	Reviewed : KPK	SER_SAS_PRO_DS_300	00

